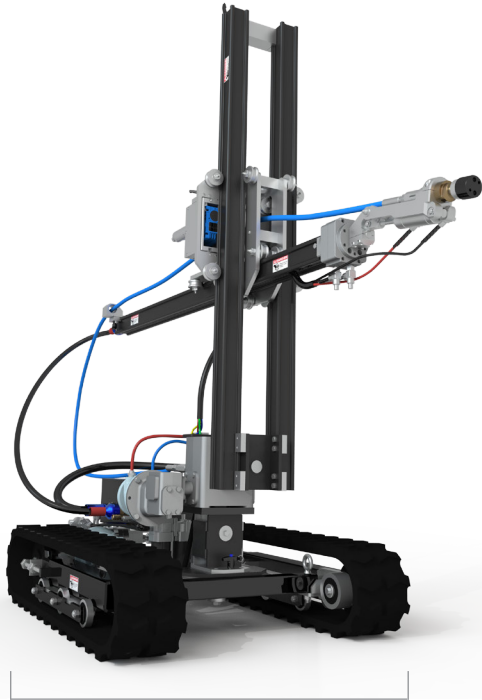


TRACKED STRIKER

Automated Shotgun Cleaning System



34.5 in. W x 44 in. L
876 mm x 1118 mm

The Tracked Striker SKR-TRK adds mobile positioning, wireless control, and increased thrust to the Striker system for safe, high powered automated surface cleaning. Wireless remote control gives the operator complete freedom of movement to maintain line of sight while enabling precision control of the shotgun nozzle from safely outside the blast zone. The steerable tracked base allows for continuous cleaning without needing to stop for repositioning, making the Tracked Striker the ideal solution for pad work.

COMPETITIVE ADVANTAGES

- **Highly versatile system** – enables safe, precise shotgun cleaning on blast pads, walkways and platforms, inside vessels, boilers and other difficult to access locations
- **Remotely steerable tracked base** allows for continuous cleaning without needing to stop for repositioning
- **Wireless controller** allows freedom of movement and continuous line of sight
- Shotgun arm operates in a **large cleaning window** and maintains consistent standoff distance to surface
- All the capability of complicated and expensive robotic systems at **half the price**

FEATURES	BENEFITS
<ul style="list-style-type: none"> • Pneumatic powered track base and articulation 	<ul style="list-style-type: none"> • Unlimited mobility when using tracks • High and low track drive speeds • Handles up to 100 lbs of thrust
<ul style="list-style-type: none"> • Modular design 	<ul style="list-style-type: none"> • Can be easily and rapidly disassembled for transportation or installation inside vessels • Adapts to a wide range of applications with plug-and-play accessories
<ul style="list-style-type: none"> • 22k and 40k pressure options 	<ul style="list-style-type: none"> • Optimize for your specific application
<ul style="list-style-type: none"> • Full shotgun wrist articulation with automatic oscillation 	<ul style="list-style-type: none"> • Control of wrist rotation and flex allows for precise positioning of shotgun jets to clean intricate surfaces • Adjustable wrist flex and movement speeds • Set oscillation to auto for uniform cleaning
<ul style="list-style-type: none"> • Wireless, ergonomic remote control 	<ul style="list-style-type: none"> • Intuitive tether-free operation of entire system from outside the blast zone for increased safety

TOOL SPECIFICATIONS

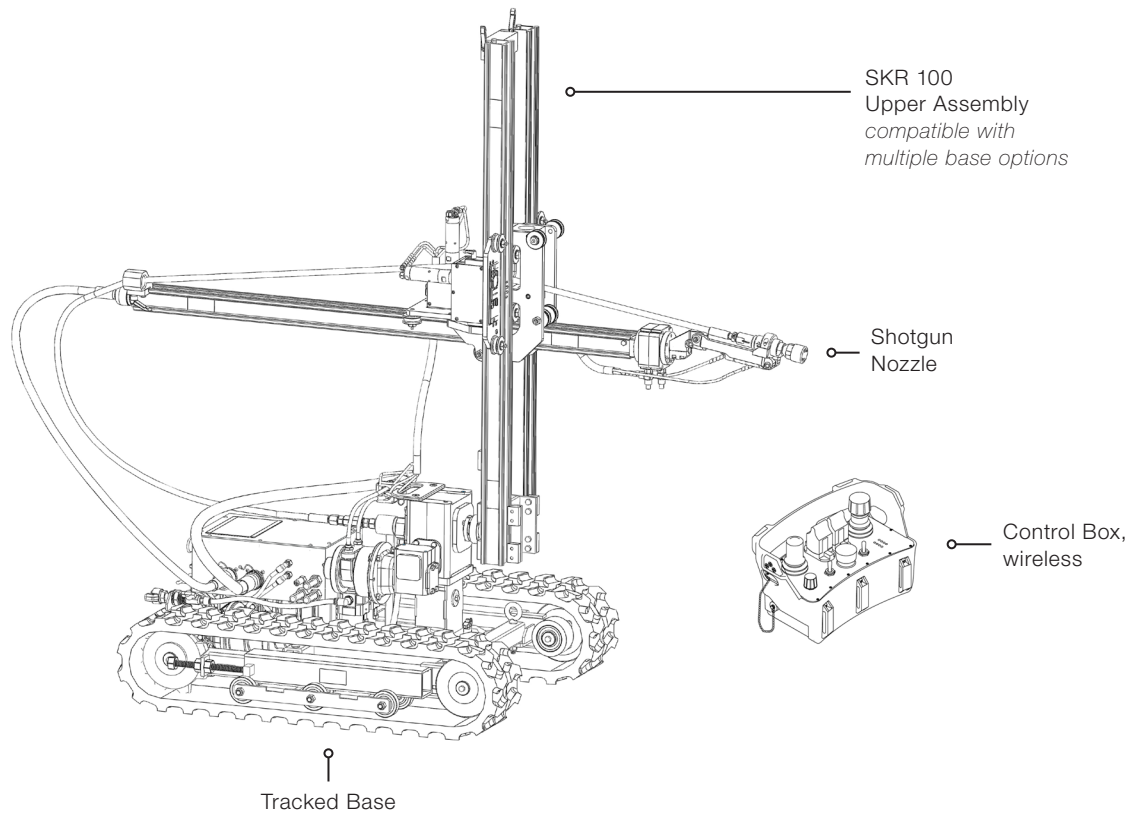
MODEL	SKR-TRK
Cleaning Window	66 in. H x 84 in. W x 54 in. D 1676 mm x 2134 mm x 1372 mm
Operating Pressure	22k or 40k psi 1500 or 2800 bar
Reaction Force	Up to 100 lb 45 kg
Air Supply Pressure	80–125 psi 0.70–0.86 MPa
Footprint Dimensions	34.5 in. W x 44 in. L 876 mm x 1118 mm
Footprint Dimensions with Outriggers Extended	N/A
Weight, Assembled*	570 lb 259 kg
Control Box Weight	4.5 lb 2 kg
Recommended Operational Temperature	-20–140 °F -29–60 °C

*System can be disassembled for transport.

Visit our website for tool resources including operation and maintenance videos:

WWW.STONEAGETOOLS.COM

TRACKED STRIKER CONFIGURATION



A complete Striker SKR-TRK configuration includes the following components:

1. SKR 100 upper assembly
2. Tracked base option with control box

The following items may also be requested:

1. Barracuda nozzle package for required pressure

TRACKED STRIKER CONFIGURATION

ORDERING THE PACKAGE

StoneAge offers preconfigured packages for the Striker SKR-TRK. Optional items can be ordered separately.

Select a base package from the following configurations:

PACKAGE PART ID	PACKAGE CONTENTS
SKR-TRK-MP9-PKG	1 x SKR 100 Striker (no base)
	1 x SKR 800-MP9 Striker Assembly, MP Includes tracked base, 22k swivel, dump, and wireless control box
SKR-TRK-H9-PKG	1 x SKR 100 Striker (no base)
	1 x SKR 800-H9 Striker Assembly, HP Includes tracked base, 40k swivel, dump, and wireless control box

Select the nozzle package to match your application:

PACKAGE PART ID	PACKAGE CONTENTS
BC-K-MP-PKG 2-Jet 22k/1500 bar Package	1 x BC-K Barracuda, 2 Port 1/4 NPT 22k psi
	2 x AP4-XXX* Attack Tip, 1/4 NPT
BC-K-P2-MP-PKG 4-Jet 22k/1500 bar Package	1 x BC-K-P2 Barracuda, 4 Port 1/8 NPT 22k psi
	4 x AP4-XXX* Attack Tip, 1/8 NPT
BC-H9-C-PKG 4-Jet 40k/2800 bar Package	1 x BC-H9-C Barracuda - 40k psi, Cartridge
	4 x OS7-XXX* Sapphire Orifice, 7/16 NF

*Specify nozzle size

Optional Items

Select optional items and spare parts to complete your order.

PART ID	DESCRIPTION
SKR 835	Rubber Track for Striker 180x72x32 DB Track
UH 075	Bearing, 6306 2RS JEM, (BRUD 116.1)
SKR 831	Hose, UHP, 31in OAL (orange)
SKR 832	Hose, UHP, 12ft OAL (orange)
SKR 880.10.10	Valve, (5300)
SKR 880.10.11	Valve, (5500)w
SKR 880.10.12	Valve, (5C00)
SKR 880.1.6	Antenna and Cable
SKR 880.10.14	Back Pressure Check Valve
SKR 880.10.21	Valve Combiner, 1/4 to 3/8
SKR 880.18	Power Switch
SKR 880.32	E-Stop
SKR 225-MP9P4	Fixed Jet Head Assembly, MP9P4
SKR 310	Hose, 8mm w/Abrasive Cover, 20k
SKR 311	Hose, 6mm w/Abrasive Cover, 40k psi
AF 065-MP9P8	15k Adaptor, 9/16 MP Male to 1/2 NPT Female