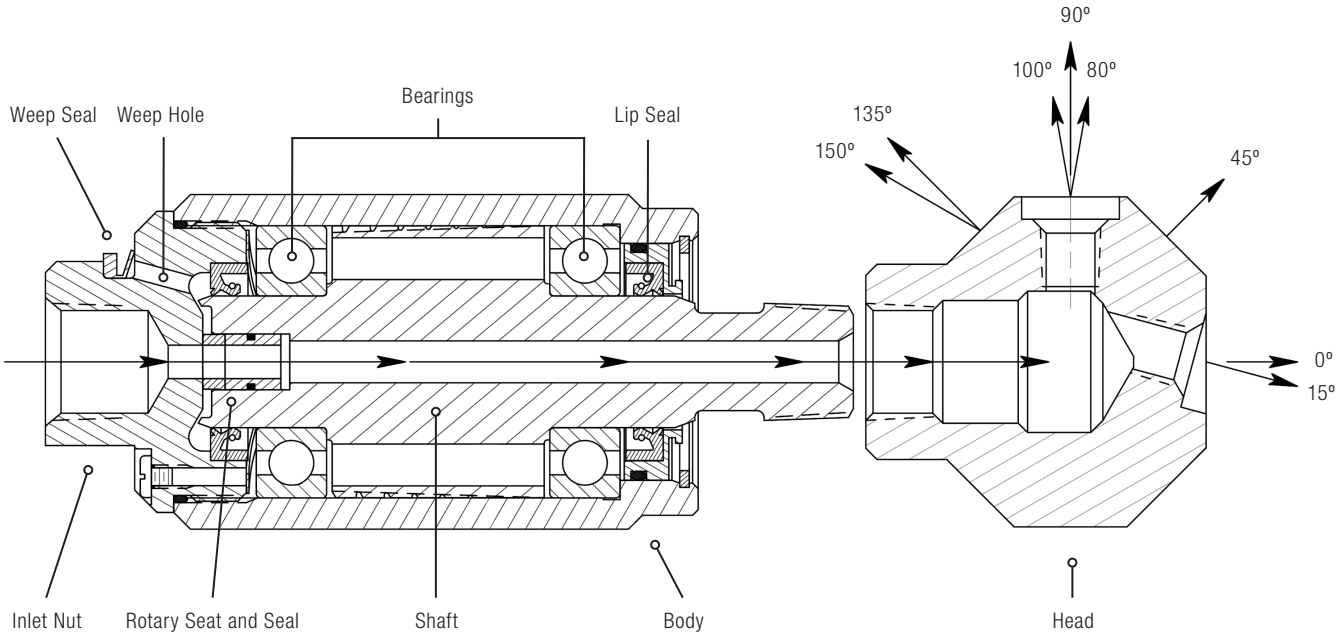
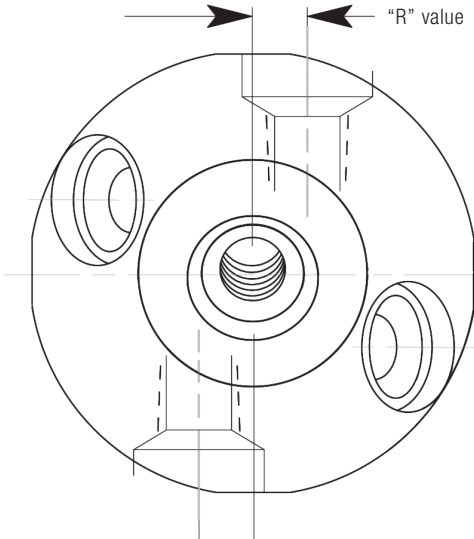


STONEAGE SWIVEL BASICS



StoneAge swivels are designed for optimal delivery of high pressure water for cleaning applications:

- Water flows in a direct path through the tool from the inlet.
- Weep seals keep contaminants out of the high pressure seat area.
- Weep holes allow water that may leak past the high pressure seat to escape — if this seat leaked and the nut was unable to release pressure, it could “wash out” the viscous fluid or even blow the inlet nut off the end of the tool!
- In our rotary seat and seal design, brass or carbide seats seal against inlet nut. The plastic seal under the seat “swells” and rotates with the shaft and against the seat so the seat does not rotate against the nut.
- Lip seals seal in governor fluid (the fluid helps to control rotation speed) and keep contaminants out.
- Jet ports are called by degree, zero being in a straight line with the inlet side of the tool.



- The “R” value on our heads is the offset at 90°, even if the head has no ports there.