

# WATERBLAST HOSE REEL SYSTEM

## HWB HOSE REEL

### OPERATION AND MAINTENANCE MANUAL



466 S. SKYLANE DR. DURANGO, COLORADO 81303 970-259-2869 PHONE 970-259-2868 FAX  
[www.stoneagetools.com](http://www.stoneagetools.com) [sales@stoneagetools](mailto:sales@stoneagetools)

# **TABLE OF CONTENTS**

1.0	INTRODUCTION
2.0	SAFETY WARNING
3.0	DESCRIPTION
4.0	ASSEMBLY INSTRUCTIONS
5.0	ASSEMBLY DRAWING
6.0	WARRANTY
	APPENDIX
	A. SG Swivel

## **1.0 INTRODUCTION**

This manual was prepared to provide the operator with the basic information needed to operate and service this equipment. The operating recommendations in the manual will ensure that you receive satisfactory performance. All operating personnel responsible for the care of this equipment should be familiar with the information in this manual.

If you have any questions or problems with this equipment, please contact the distributor you obtained the product from, or the manufacturer:

**StoneAge, Inc.**  
466 S. Skyline Dr.  
Durango, CO 81303  
970-259-2869 Phone 970-259-2868 Fax  
[www.stoneagetools.com](http://www.stoneagetools.com)

## **2.0 SAFETY WARNING**

Operations with this equipment can be potentially dangerous if caution is not exercised prior to and during tool use. Please read and follow all of these instructions, in addition to the guidelines in the WJTA Recommended Practices handbook.

- 2.1 Only competent and trained persons should operate this equipment.
- 2.2 The immediate work area should be marked off to keep out untrained persons.
- 2.3 All personnel in the area should wear appropriate personal protective equipment.
- 2.4 Inspect the equipment for visible signs of deterioration, damage, or improper assembly. Do not operate until repaired. Make sure all threaded connections are tight and leak free.
- 2.5 Check nozzle orifices before use. If any are plugged, they must be cleaned or replaced.
- 2.6 The machine should be securely supported. Strong thrust is created by waterjets.
- 2.7 This equipment should always be used with an operator controlled dump mechanism to release the high pressure water. If it is necessary to have a person work near the cleaning jets, then it is this person who should have control of the pressure dump.
- 2.8 Check that all control functions work properly before going to high pressure.
- 2.9 Do not exceed the maximum operating pressure specified for any component in a system.

### **3.0 DESCRIPTION**

This Waterblast Hose Reel System was designed to effectively store waterblast hose quickly and safely. The HWB reels can be used with various hose sizes and pressure ratings of 15000, 20000, or 40000 psi. (Note: Maximum working pressure must be specified during order to ensure proper reel component selection.)

Optional manual, air, electric, or hydraulic rewind models are available. The hose reel may also be purchased with various accessories including: clutches, brakes, guides, and hose stops for increased performance in specific applications. The air powered model requires 25 to 50 cfm at 80 psi; the hydraulic model requires 4 gpm at 1000 psi to operate. Note that if using hose reel to lower a hose and tool into a vessel that the torque generated by the weight of the hose and tool may exceed what an operator can manually support with the crank handle. Use of the brake can help safely lower the tool, but it may not be possible to pull the tool back up using the hand crank.

### **4.0 ASSEMBLY INSTRUCTIONS**

All HBW hose reels are shipped fully assembled. The hose needs to be clamped with the HWB 018 Hose Clamp and HWB 018 Shells, threaded thru the elbow and connected to the coupling on the swivel shaft.

## 5.0 HWB ASSEMBLY DRAWING

BRAKE / AUXILLARY MANUAL REWIND

HWB 015 SWIVEL CLAMP ASSY  
4 X .250 -20 UNC X 1.00 SHCS

SG SWIVEL ASSY

GP 052-P12P12 COUPLING

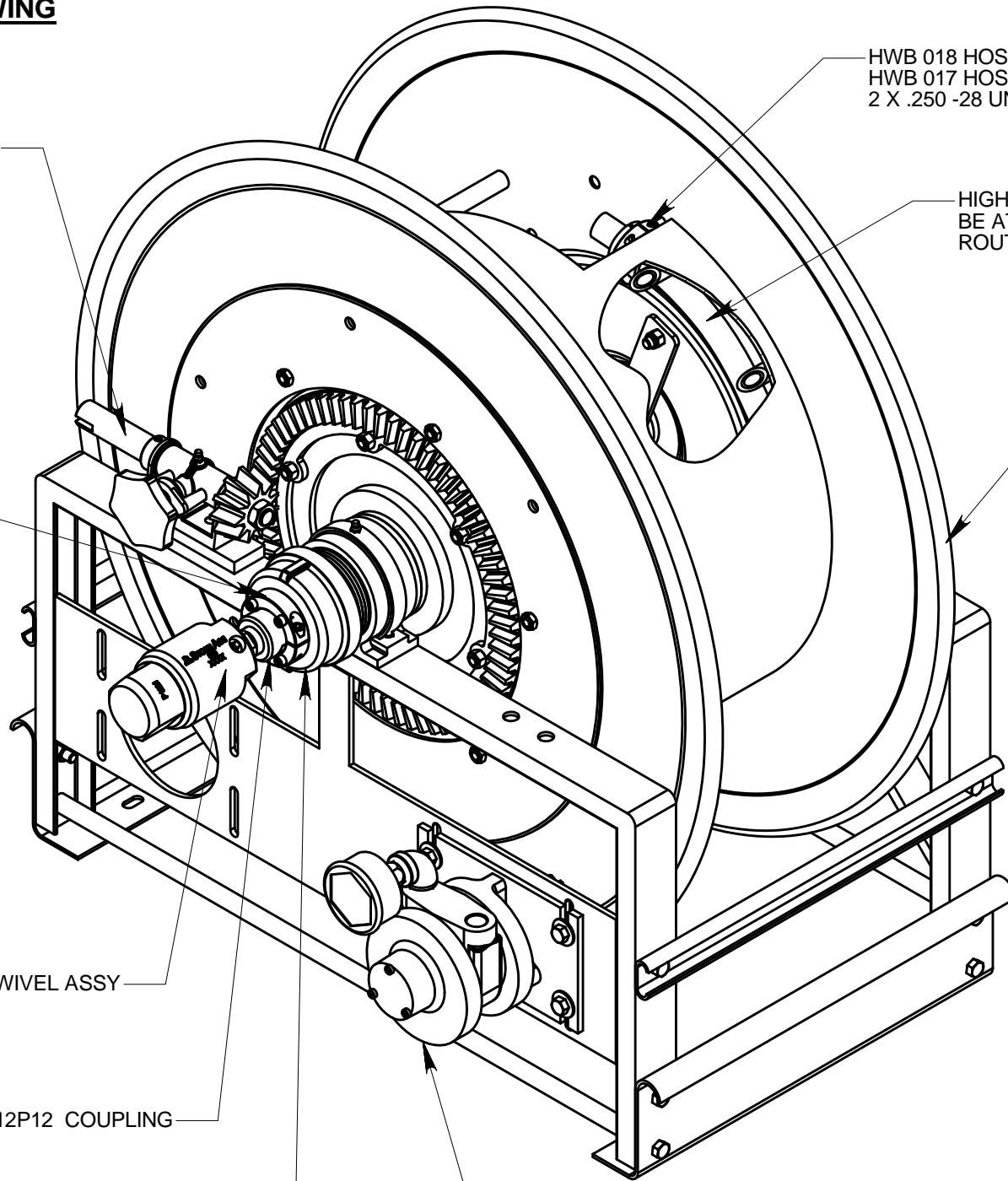
HWB 012 3.00 NPT CAP MODIFIED

HWB 018 HOSE CLAMP ASSY  
HWB 017 HOSE CLAMP SHELLS  
2 X .250 -28 UNF X 1.75 SHCS

HIGH PRESSURE HOSE TO  
BE ATTACHED TO SWIVEL BY  
ROUTING THROUGH DRUM

HWB 020 REEL FLANGE

MANUAL, AIR, HYDRAULIC, ELECTRIC  
POWER REWIND



## **6.0 LIMITED WARRANTY**

StoneAge, Inc. warrants to the extent herein provided the products of its own manufacture against defects in material and workmanship under normal use and service for which the products were designed for a period of six months after shipment from the factory. If such products should fail through defect in workmanship or material and specific written notice of failure is made within six months after date of shipment from factory, StoneAge, Inc. will either repair or replace any such items, F.O.B. its factory without charge. StoneAge, Inc. shall not be liable for expense incurred in repairs or alterations made outside the factory without the proper and prior authorization. StoneAge, Inc. shall have the option of requiring the return of the defective products to its factory, with transportation charges prepaid, to establish the claim. StoneAge, Inc. shall in no event be held liable for damages or delay resulting from or arising out of defective products nor for consequential damages or otherwise except for repair or replacement of items of defective material or workmanship aforesaid.

THIS WARRANTY IS EXPRESSLY IN LIEU OF ALL OTHER WARRANTIES EXPRESSED OR IMPLIED INCLUDING THE WARRANTIES OF MERCHANTABILITY AND FITNESS FOR USE AND NEITHER ASSUMES, NOR AUTHORIZES ANY PERSON TO ASSUME FOR STONEAGE, INC. ANY OTHER LIABILITY IN CONNECTION WITH THE SALE OF ITS PRODUCTS. THIS WARRANTY SHALL NOT APPLY TO PRODUCTS OR ANY PARTS THEREOF WHICH HAVE BEEN SUBJECT TO ACCIDENT, NEGLIGENCE, ALTERATION, ABUSE, OR MISUSE. STONEAGE, INC. MAKES NO WARRANTY WHATSOEVER IN RESPECT TO ACCESSORIES, PARTS OR PRODUCTS NOT MANUFACTURED BY STONEAGE, INC.