

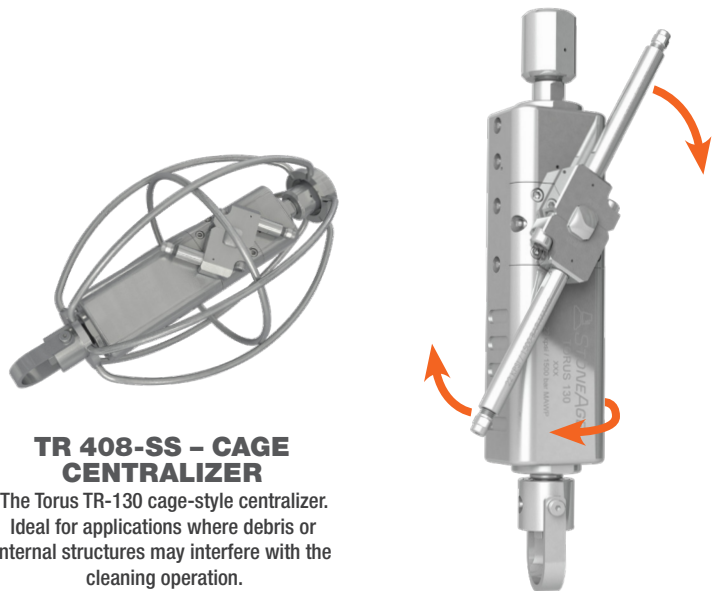
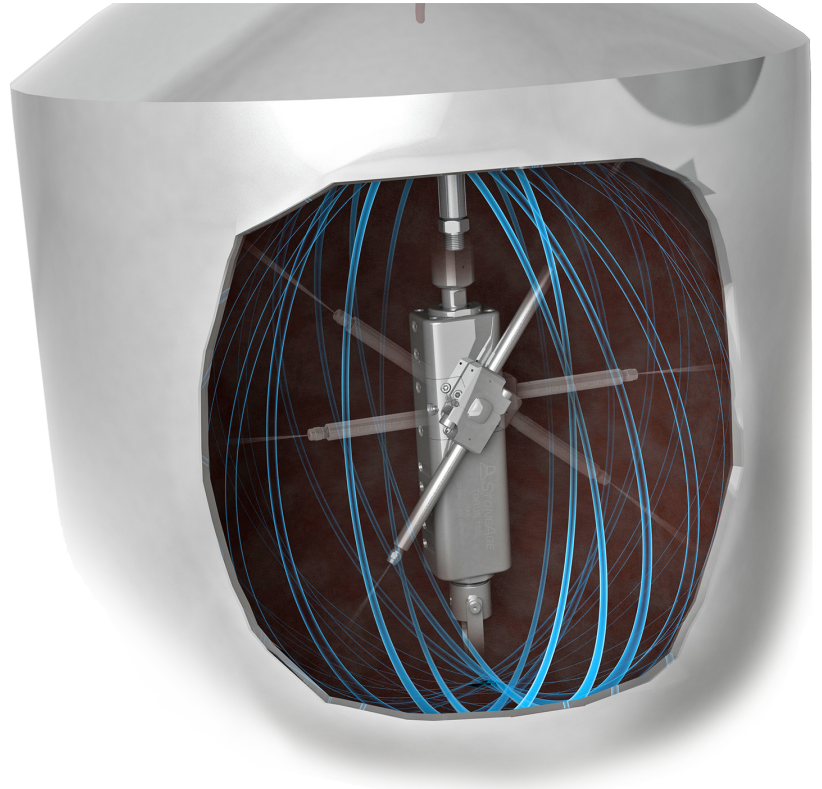
TORUS TR-130

3-D CLEANING FOR
TANKS AND VESSELS

The Torus TR-130 is a powerful and highly adaptable 3-D cleaning tool designed to easily adjust to a wide range of pump capacities, working pressures, and cleaning applications.

Today's cleaning environments demand hands-free automated technology for increased safety. When the Torus TR-130 is combined with our positioning equipment in chemical and power plants these challenges are met.

- ▶ Wide range of inlet adaption to suit all common hose sizes
- ▶ Spare parts stocked in all locations for immediate dispatch or collection
- ▶ Available to rent through UK, NL & Scottish rental locations
- ▶ Wide range of accessories available (Extension arms, nipples, cage centralizers...)
- ▶ 4 manifolds to cover pump outputs from 42 L/min upto 300 L/min
- ▶ Simple seal replacement in just 15 minutes
- ▶ Easy rotational speed adjustment
- ▶ Protective poly-cover available



TR 408-SS - CAGE CENTRALIZER

The Torus TR-130 cage-style centralizer. Ideal for applications where debris or internal structures may interfere with the cleaning operation.

Get more information at:
<https://www.stoneagetools.com/tr-130>

 **STONEAGE**
ENGINEERING THE POWER OF WATER

www.stoneagetools.com