

3-6" LINES

NEW WT-1/2-PKG & WT-3/8-PKG

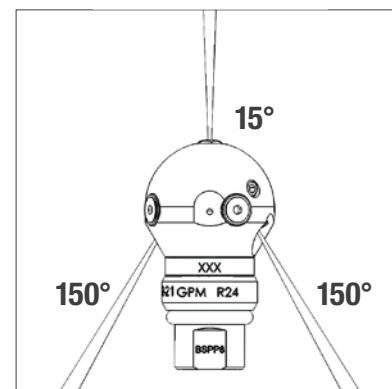
PIPE SIZE: 3-6" LINES (76-152 MM)

INLET: 1/2" NPT OR BSPP, 3/8" NPT OR BSPP

BENEFITS:

- Viscous fluid controlled rotation
- Carbide wear buttons extend nozzle life
- Navigates multiple bends
- Easily maintained

JET ANGLES



MODEL/INLET	PRESSURE RANGE		FLOW RANGE		HEAD	NOZZLE PORTS	JET TYPE	PORT PLUG	WEIGHT		DIAMETER x LENGTH	
	PSI	BAR	GPM	LPM					LB	KG	IN.	MM
WT-3/8 OR BSPP	1200-5K	83-345	9-12	34-45	WT 040-R31-C	3 X 1/8 NPT	AP2	GP 025-P2SS	1.2	0.54	1.9 X 3.0	48 X 76
			7-9	26-34	WT 040-R45-C							
			5-7	19-26	WT 040-R60-C							
NEW WT-1/2	1200-5K	83-345	12-21	45-79	WT 040-R24-C	3 X 1/8 NPT	AP2	GP 025-P2SS	1.2	0.54	1.9 X 3.0	48 X 76
			9-12	34-45	WT 040-R31-C							
			7-9	26-34	WT 040-R45-C							
			5-7	19-26	WT 040-R60-C							