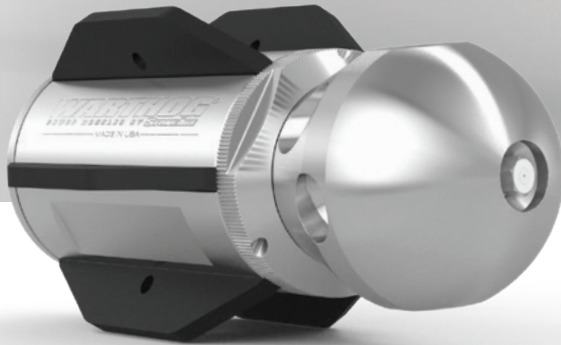
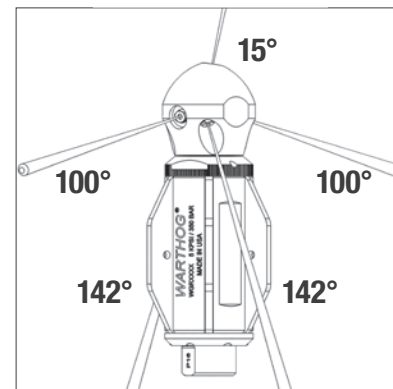


Individually replaceable centralizer fins made from hardened steel

Controlled rotation allows jets time to evenly clean and clear lines



JET ANGLES



WGR MAGNUM

PIPE SIZE: 8-36" (203-914 MM)

INLET: 1" NPT OR BSPP

BENEFITS:

- Reduced operation expense and less downtime
- Effectively handles recycled water
- Carbide nozzles generate higher quality, longer lasting jets
- Independently replaceable centralizer fins
- Customizable rotation speed via viscous fluid options

MODEL/ INLET	PRESSURE RANGE		FLOW RANGE		HEAD	NOZZLE PORTS	JET TYPE	PORT PLUG	WEIGHTS		DIAMETER x LENGTH	
	PSI	BAR	GPM	LPM					LB	KG	IN.	MM
WGR-1	1200-5K	83-345	60-80	227-303	WGR 040-R20-SDS	7 X 1/8 NPT	CNP2	GP 025-P2SS	13.25	6	4.5 X 10	114 X 254
			50-70	189-265	WGR 040-R31-SDS							