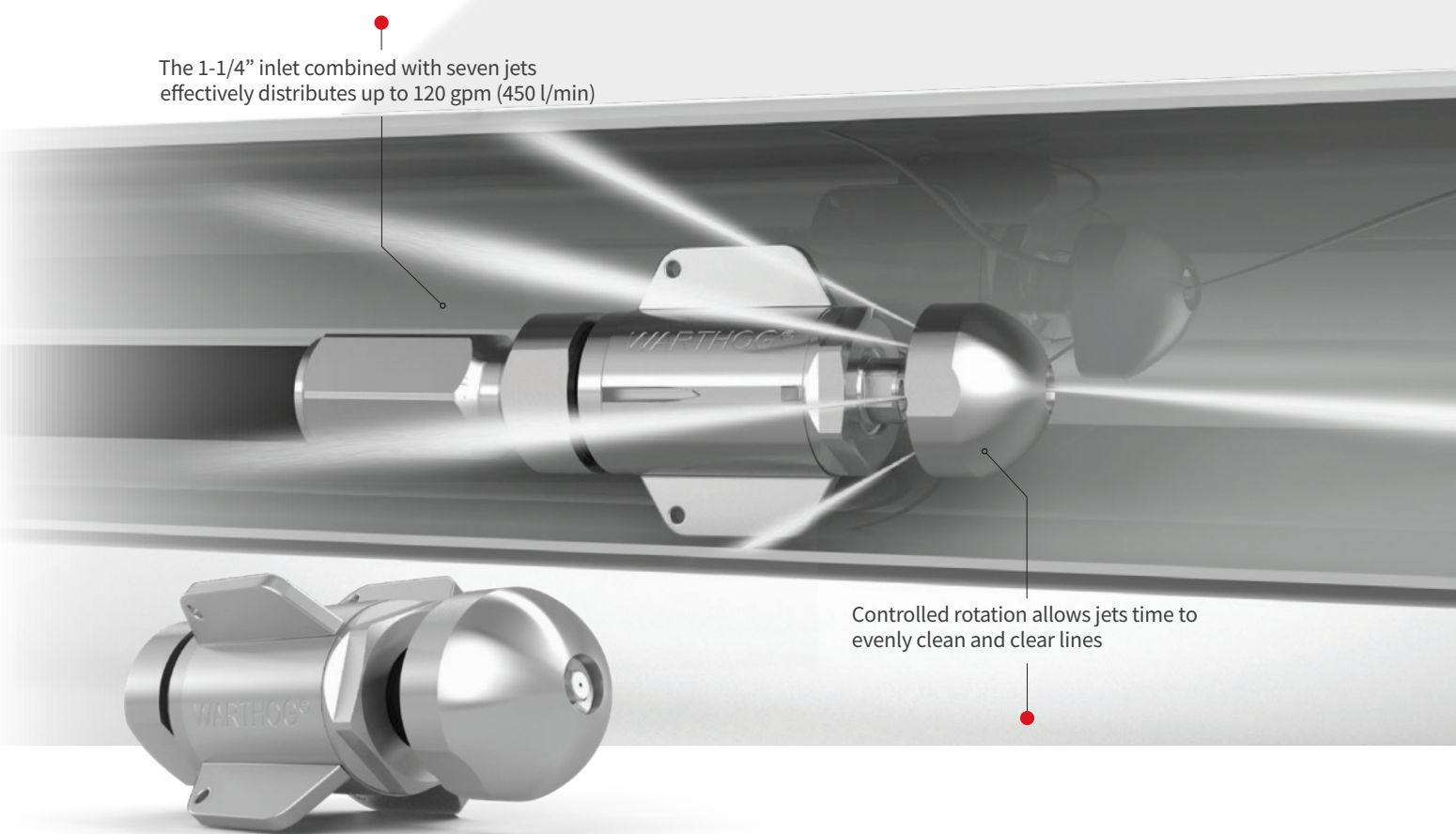


The 1-1/4" inlet combined with seven jets effectively distributes up to 120 gpm (450 l/min)



Controlled rotation allows jets time to evenly clean and clear lines

**8-36" LINES**

## WD 1-1/4

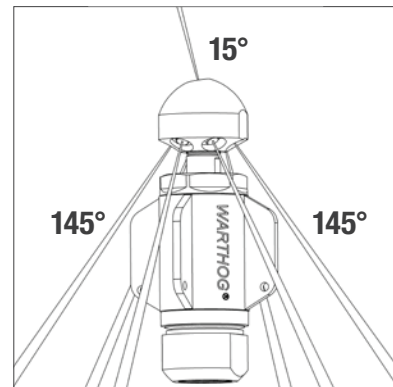
**PIPE SIZE:** 8-36" (203-914 CM)

**INLET:** 1-1/4" NPT OR BSPP

### BENEFITS:

- High flow capacity up to 120 gpm (450 l/min)
- Proven effective for municipal, industrial and commercial drain cleaning applications
- Controlled rotation allows jets to penetrate deeper through deposits to clean and clear pipes
- Descaling head available

### JET ANGLES



MODEL/ INLET	PRESSURE RANGE		FLOW RANGE		HEAD	NOZZLE PORTS	JET TYPE	PORT PLUG	WEIGHTS		DIAMETER x LENGTH	
	PSI	BAR	GPM	LPM					LB	KG	IN.	MM
WD-1/4	1200-5K	83-345	80-120	303-454	WD 040-R35	7 X 1/8 NPT	AP2	GP 025-P2SS	11	5	4.8 X 9.1	122 X 231