

BJV Centralizers

Centering Devices for all BJV Nozzles

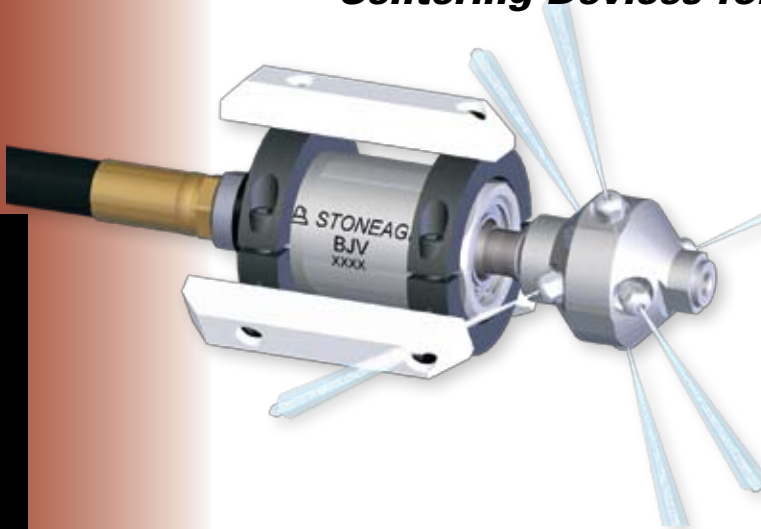


BJ 070 Skid Style

This is a versatile system with exchangeable plastic skids that bolt on to collars and change out easily. The skid works well through elbows and can handle up to 12" diameter pipes effectively. This skid accepts all **BJV** nozzles and is shown in the upper right photo. Ask about additional skid sizes when ordering.

BJ 070 Plastic Skid Style

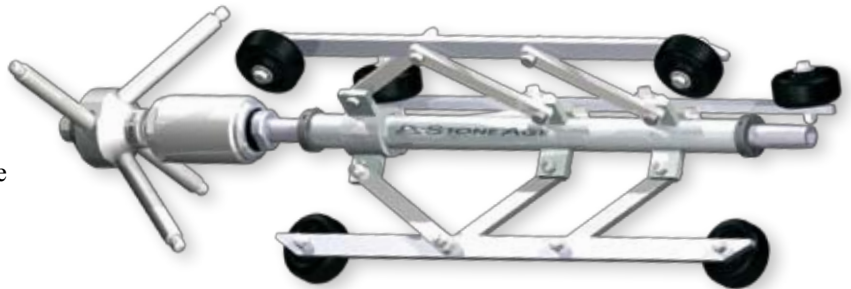
Available in 6", 8", 10" & 12" Interchangeable Skid Sizes
(152 mm, 203 mm, 254 mm, & 305 mm)



PIPE CLEANING

BJ 286 6-Wheel Adjustable

This centralizer is designed for straight run pipes only. It has an adjustable scissor style aluminum frame with tough plastic wheels and is easily converted among the 15k, 20k and 40k psi **BJV** nozzle line.



MODEL	RANGE OF ADJUSTMENT	WEIGHT
BJ 286-S	9-18 in. 230-460 mm	20 lbs 9 kg
BJ 286-M	13-40 in. 330-1010 cm	32 lbs 15 kg
BJ 286-L	16-60 in. 410-1520 mm	40 lbs 18 kg

BJ 288 8-Wheel Adjustable

This centralizer is designed to travel through elbows easily. It has adjustable telescopic steel legs with tough plastic wheels and is easily converted among the 15k, 20k and 40k psi **BJV** nozzles.



MODEL	RANGE OF ADJUSTMENT	WEIGHT
BJ 288-S	16 - 21 in. 410 - 530 mm	12 lbs 5 kg
BJ 288-M	22 - 29 in. 560 - 740 mm	13 lbs 6 kg
BJ 288-L	30 - 35 in. 770 - 940 mm	16 lbs 7 kg

www.stoneagetools.com • www.sewernozzles.com

1-866-795-1586 (Toll Free in the U.S) or 970-259-2869 • Fax: 970-259-2868

email: sales@stoneagetools.com

