

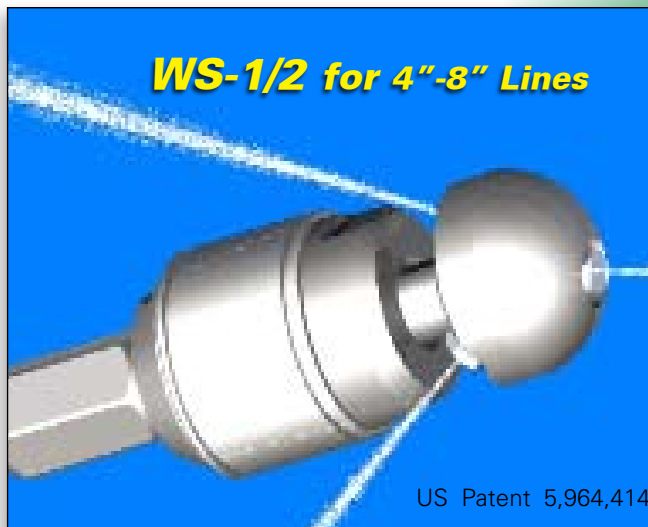
WT & WS - Small Pipes

For Cart Jetters & Trailer Jetters



WT & WS WARTHOGS®: Small but Mighty!

These small **WARTHOG**® sewer models have all the powerful features of the larger tools, but they can negotiate elbows and cleanouts commonly found in laterals from homes, buildings, restaurants, and other light commercial facilities.



SEWER JETTING

The **WT-3/8** is designed specifically to handle 3"- 6" lines and cleanouts. This tool is most commonly used on small capacity pumps and cart jetters.

The **WS-1/2** is designed to handle 4"-8" lines and is most commonly used with trailer jetters. This tool is a real workhorse and really delivers.

WARTHOG® WT & WS Specifications				
MODEL	WT-3/8		WS-1/2	
Maximim Pressure	4,000 psi	275 bar	4,000 psi	275 bar
Operating Pressure	1,500 - 4,000 psi	100-275 bar	1,500 - 4,000 psi	100-275 bar
Rotation Speed	300-500 rpm		200-500 rpm	
Flow	5-12 gpm	20-45 lpm	8-20 gpm	27-75 lpm
Flow Rating	0.75 Cv		1.3 Cv	
Pulling Force	5-20 lbs	22-89 nt	9-27 lbs	40-120 nt
Inlet Port	3/8 npt		1/2 npt	
Tool Diameter	1.9 in	4.8 cm	1.8 in	4.4 cm
Length	3.0 in	7.6 cm	4.4 in	11.2 cm
Ports	3 x 1/8 npt		3 x 1/8 npt	
Weight Complete	1.2 lb	54 kg	2.95 lb	1.33 kg



Both the **WT** and **WS** models negotiate elbows effortlessly. They are designed for cart and trailer jetters.