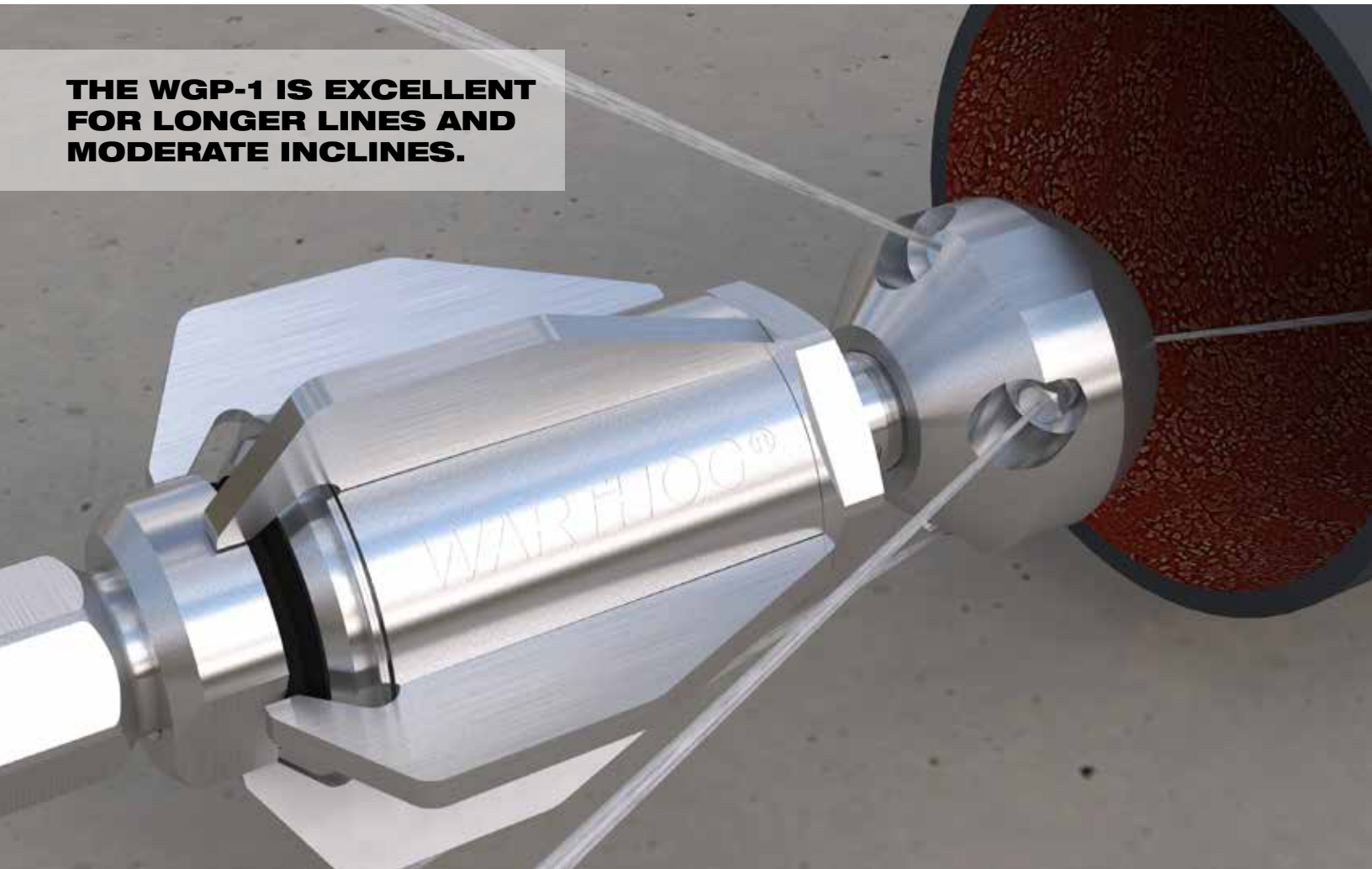




THE WGP-1 IS EXCELLENT FOR LONGER LINES AND MODERATE INCLINES.



WGP-1 CLASSIC

8"-36" (203-914 mm) Lines

Our WGP-1 is designed to produce up to 40% more pulling power* than our WG-1. The rear facing jets are angled more sharply and the centralizer fins have been streamlined. The result is more pulling power to navigate longer lines and moderate inclines, plus makes retrieval of the tool easier.

WGP-1 CLASSIC	Up to 5k psi (350 bar)
8"-36" Lines (152-457 mm)	50-80 gpm Flows (190-300 l/min)
	Up to 40% More Pulling Power*

WGP-1 Specifications

MAXIMUM PRESSURE	5k psi 350 bar
OPERATING PRESSURE	1500-5k psi 100-350 bar
ROTATION SPEED	150-300 rpm
FLOW	50-80 gpm 190-300 l/min
FLOW RATING	4.6 Cv
PULLING FORCE	100-140 lb 450-623 N
INLET CONNECTION	1 NPT or BSPP
LENGTH	9.1 in. 231 mm
DIAMETER WITH CENT.	4.8 in. 122 mm
PORTS	5 x 1/8 NPT
WEIGHT COMPLETE	10.9 lb 4.9 kg

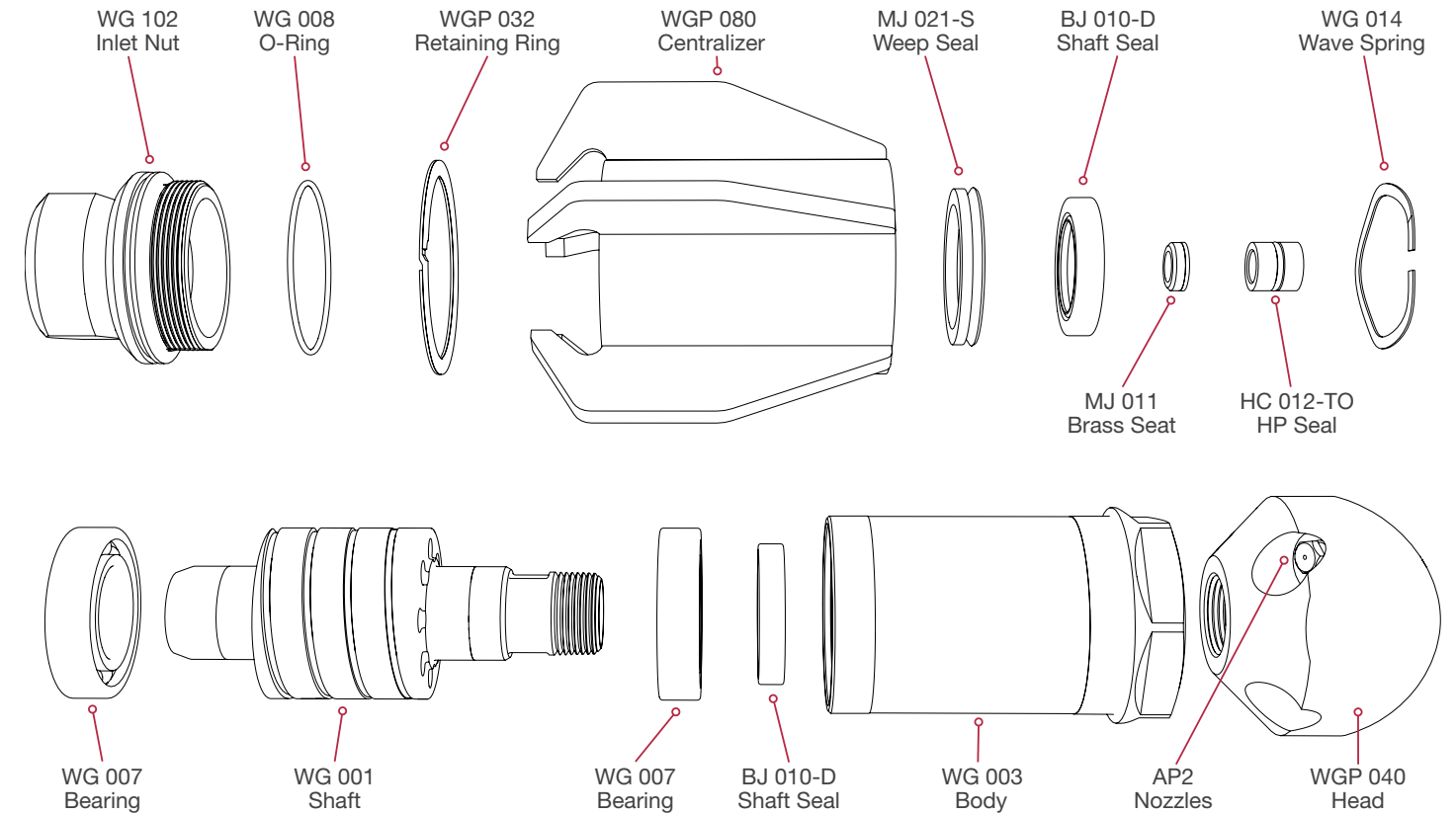
* With the front jet plugged.



TECH TIP: WE RECOMMEND PLUGGING THE FRONT JET TO HELP MAXIMIZE DESCALING AND PULLING POWER WHEN USING THIS OPTION.

WGP-1 CLASSIC

Exploded View - Part Names and Numbers



Maintenance & Overhaul Kits

WG 600 • SERVICE KIT

- (1) BJ 048-F Visc. Fluid, 6oz.
- (1) BJ 062-S Antiseize, 2g
- (1) GP 025-P2 Hex Socket Plug
- (1) MJ 011 Brass Seat
- (1) HC 012-TO HP Seal & O-Ring

WG 610 • OVERHAUL KIT

- (2) BJ 010-D Shaft Seals
- (1) BJ 048-F Visc. Fluid, 6oz.
- (1) BJ 062-S Antiseize, 2g
- (1) MJ 011 Brass Seat
- (1) HC 012-TO HP Seal & O-Ring
- (2) WG 007 Ball Bearings
- (1) WG 008 O-Ring
- (1) WG 014 Wave Spring
- (1) MJ 021-S Weep Seal
- (1) WGP 032 Retaining Ring

WG 612 • TOOL KIT

- (1) HC 064 Fill Tube
- (1) BJ 105 Tool

WG 602 • SEAL KIT

- (1) MJ 011 Brass Seat
- (1) HC 012-TO HP Seal & O-Ring