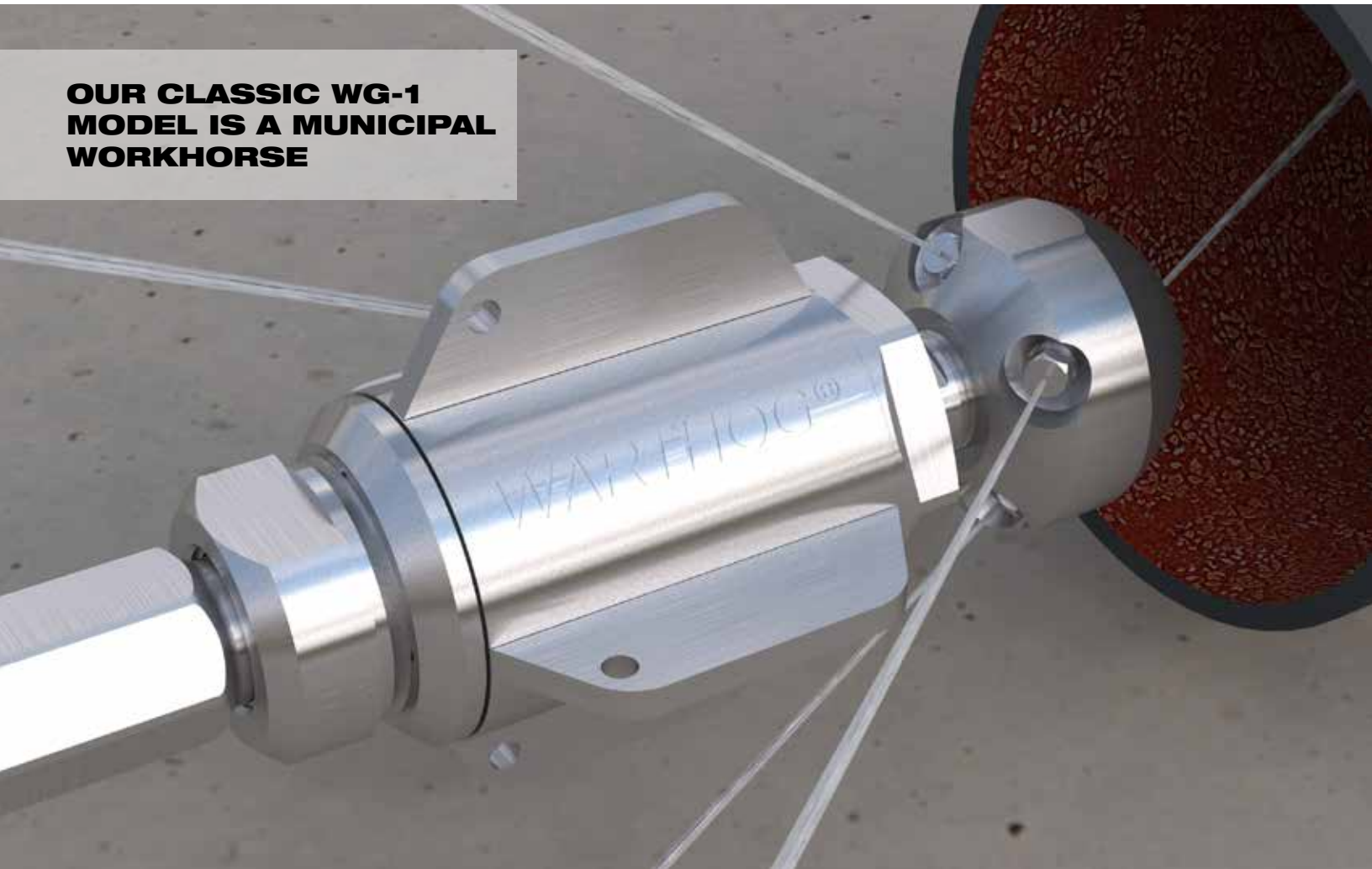




**OUR CLASSIC WG-1  
MODEL IS A MUNICIPAL  
WORKHORSE**



## WG-1 CLASSIC

8"-36" (203-914 mm) Lines

The WG-1 is the proven choice for municipal, industrial and commercial drain cleaning applications. Predominately used in large combination trucks with 1" (25 mm) hose, the WG-1 is field-maintainable for low cost of ownership and can be fitted with replaceable AP2 nozzle tips sized to maximize pump efficiency and effectiveness.

- **CONTROLLED ROTATION**  
Slower dwell time allows jets to penetrate deeper through deposits
- **MULTIPLE HEAD OPTIONS**  
Customize tool for unplugging, descaling or manhole cleaning
- **HIGHEST QUALITY JETS**  
Hardened stainless steel orifices resist cracking and scratching



Optional Descaling Head for the WG-1

### WG 040-DS-R5

**TECH TIP: WE RECOMMEND  
PLUGGING THE FRONT JET TO HELP  
MAXIMIZE DESCALING AND PULLING  
POWER WHEN USING THIS OPTION.**

### WG-1 CLASSIC

Up to 5k psi (350 bar)
50-80 gpm Flows (190-300 l/min)
Classic WG-1 Model

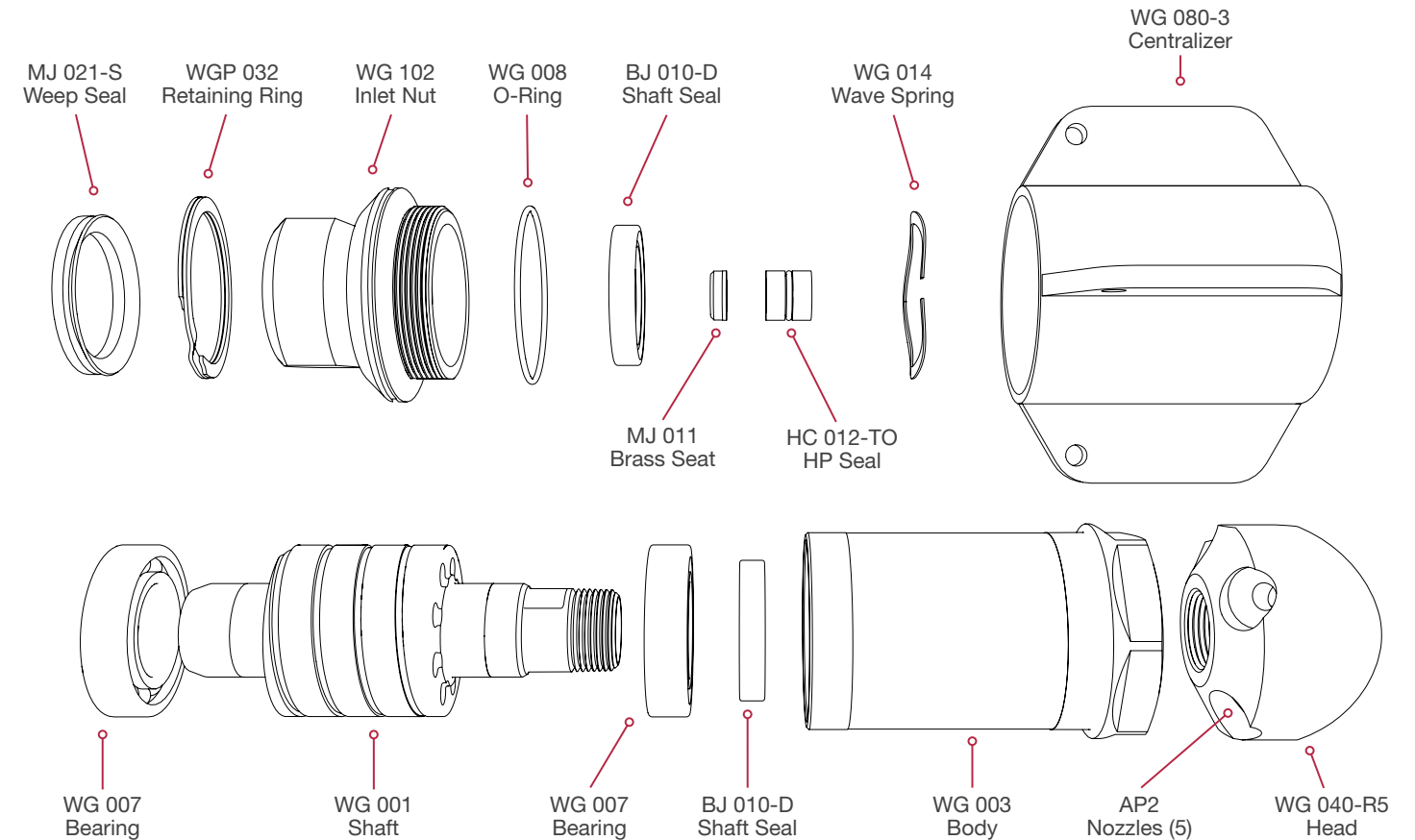
8"-36" Lines (203-914 mm)

### WG-1 Specifications

<b>MAXIMUM PRESSURE</b>	5k psi 350 bar
<b>OPERATING PRESSURE</b>	1500-5k psi 100-350 bar
<b>ROTATION SPEED</b>	150-300 rpm
<b>FLOW</b>	50-80 gpm 190-300 l/min
<b>FLOW RATING</b>	4.6 Cv
<b>PULLING FORCE</b>	70-100 lb 310-450 Nm
<b>INLET CONNECTION</b>	1 NPT or BSPP
<b>NOZZLE PORTS</b>	5 x 1/8 NPT (P2)
<b>LENGTH</b>	9.1 in. 231 mm
<b>DIAMETER</b>	4.8 in. 122 mm
<b>WEIGHT COMPLETE</b>	10.9 lb 4.9 kg

## WG-1 CLASSIC

Exploded View - Part Names and Numbers



### Maintenance & Overhaul Kits

#### WG 600 • SERVICE KIT

- (1) BJ 048-F Visc. Fluid, 6oz.
- (1) BJ 062-S Antiseize, 2g
- (1) GP 025-P2SS Hex Socket Plug
- (1) MJ 011 Brass Seat
- (1) HC 012-TO HP Seal & O-Ring

#### WG 610 • OVERHAUL KIT

- (2) BJ 010-D Shaft Seals
- (1) BJ 048-F Visc. Fluid, 6oz.
- (1) BJ 062-S Antiseize, 2g
- (1) MJ 011 Brass Seat
- (1) HC 012-TO HP Seal & O-Ring
- (2) WG 007 Ball Bearings
- (1) WG 008 O-Ring
- (1) WG 014 Wave Spring
- (1) MJ 021-S Weep Seal
- (1) WGP 032 Retaining Ring

#### WG 612 • TOOL KIT

- (1) HC 064 Fill Tube
- (1) BJ 105 Tool

#### WG 602 • SEAL KIT

- (1) MJ 011 Brass Seat
- (1) HC 012-TO HP Seal & O-Ring