

NewsBlast

StoneAge, Inc. P.O. Box 2907, Durango, CO 81302; Phone: (970) 259-2869; Fax: (970) 259-2868; www.stoneagetools.com

October 2003

Waterjet Technology Association Conference

The 20th annual WJTA Conference was a great show of latest technology in waterjetting. Live demonstrations of equipment, exhibit booths, technical papers, and educational seminars made it a "must attend" event for StoneAge and our customers. If you missed it, next chance is August 2005.



StoneAge welcomes visitors from around the world

StoneAge's Doug Wright presented papers on pressure ratings for npt threads, and materials for long-lasting nozzle tips. The nozzle life study was

of particular interest to industrial service contractors whose success depends on excellent jets that last long enough to get their job done. Call Doug if you want a copy.

StoneAge's new Badger 2D Nozzle was demonstrated making its way through two 90° elbows in 4" pipe. No other 2D nozzle is made that will handle such elbows, and provide the power of controlled rotation speed. Introduced last fall, the Badger has been successful cleaning a wide variety of process lines that simply could not have been thoroughly cleaned before.



Doug Wright demonstrates Badger 2D Nozzle

Ultra high pressure waterjet tools were demonstrated by a number of manufacturers at the show. Even where lower pressures could do the same job, the need to minimize

water for economical recovery and treatment is growing. Add the ability of ultra high pressure to remove thin, hard coatings like epoxy,

and lots of smart engineers are developing tools for 40 Kpsi and above.

Gardner-Denver demonstrated StoneAge's new BC-UH self-rotating 40 Kpsi gun nozzle. It's shown here removing an epoxy coating. The BC-UH is popular because of its economy. It avoids the complexity of the air rotation drive on conventional UHP guns. Excellent rotation speed control, and quality sapphire jets make the new Barracuda BC-UH a great value.



Gardner-Denver demonstrates 40 Kpsi self-rotating Barracuda

Thanks to all our customers who visited our booth at the show. It's interesting how many unusual waterjet applications they encounter, and it helps us design new tools. A good time was had by all!



Gordon Taylor (Cleanaway), Gordon Mackay (DBI Industries), Steve Sharp (Calder)

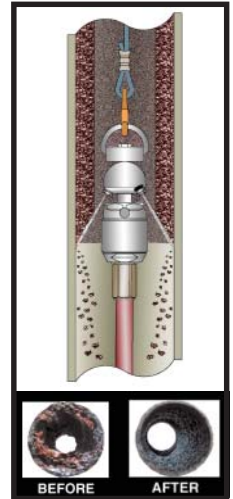
Warthog No-Risk Guarantee



Mineral deposit jetted from 8" line at a Maryland water treatment plant, using Warthog WH-1/2.

The original rotation speed controlled sewer jetting tool has been so successful that imitations are now being made. But the imitators can't match StoneAge's 18 years experience with self-rotating 2D jetting tools. Nor can their product match Warthog performance.

We've published success stories and technical articles explaining the scientific principles that make the Warthog so much more powerful than competitors' nozzles. Now we're inviting sewer cleaning contractors and municipalities to forget the sales pitch, prove it to yourself at no risk. If you are not completely satisfied with the performance of the tool, and return it within 30 days of the date shipped; we will refund your entire purchase price, including shipping. You must ask for the "No Risk Warthog Deal" when ordering. Shipping refund applies only to domestic, ground shipping mode. Why wait and wonder? Call us now to put the Warthog to work for you.



WS-1/2 on Longboat Key, FL



WH-3/4 rescues other nozzles stuck in root mass in New Zealand



Waterjets alone do cut roots



WG-1 in Denton, TX



WG-1 in Durango, CO

Czech Republic Pipeline Cleaned Fast

It's not just another pipeline cleaning story, because a clever combination of equipment was used to enhance productivity.

The 2D nozzle used here is the StoneAge RJV with BJ 286-M-P12 6-Wheel Centralizer. Since its introduction in 1986, countless pipes have been cleaned with the RJV. What's different here is the use of self-rotating gun nozzles on the rotating arms to cover more area with each revolution. The gun nozzles were supplied

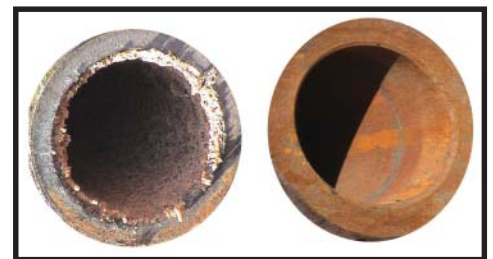
by our friends and competitors in Europe. Similar jobs have been done in the US using the StoneAge BJV with Barracuda gun nozzles.

As for results, the photos speak for themselves. 1.7 km (a little more than a mile) of 20-24 inch ID watermain was cleaned in 10 days. Soft sediment from a chemical operation was removed as well as a bitumen coating. The work was done at less than 800 bar (11,600 psi) by Vodax AW in Bakov nad Jizerou, Czech Republic. Quick and thorough results brought Mlada Boleslav's water and sewer operation back into compliance with local regulations.

Thanks to Ivan Wolf at NET Spol for this story, StoneAge distributor in the Czech Republic.



RJV, BJ 186-M-P12 Centralizer, and Gun Nozzles



Soft sediment and coating completely removed



The Zoom Crawler/Root Cutter

It's wonderful getting feedback from satisfied customers relating their amazement and gratitude at what our tools can accomplish. "I can't believe you can cut roots with just a water jet" or "I've never gotten a line that clean before" are a sampling of customer comments expressed on a regular basis. Warthogs have become the tool by which all other nozzles compare themselves. We recently got a call from Jim Criniti, Vice President of Zoom Sewer and Drain, near Philadelphia. Their growing sewer jetting business now has six of our WT-3/8 Warthogs working on the ends of their jetting hose. Jim is sold on the fact that nothing on the market compares to the WT's ability to cut roots in 3", 4" and even 5" lines. As with many successful jetting services, camera inspection has shown tremendous benefits for Zooms' business. Jim called StoneAge with an innovative idea for putting their camera-equipped crawler to work in 8-inch sewer lines as a dual-purpose vehicle. The project consisted of cleaning and inspecting over 19,000 ft of 8" terra-cotta pipe. The concept was to mount a rigidly attached Warthog out in front of the crawler with two 45-degree forward facing jets blasting the walls of

the pipe, and allowing the camera eye a clear view of the rotating jets. This would allow the operator to pressure up only when the tool came to a pipe joint with root clusters, saving water and time. StoneAge quickly supplied Jim with the WSH Hogwash Tool equipped with the special 45-degree head. A week later Jim called to tell us what an incredible job the tool was doing. The camera operator would stop the vehicle at each root bundle, pressure up the tool, and watch while the roots disappeared and the dammed backlog of water poured past the camera lens. The root and grease cutting capability of the nozzle allowed for one pass cleaning. This translated into a tremendous cost savings over traditional methods and a cleaning effectiveness that couldn't be matched. We are very thankful to Zoom for believing in our tools and sharing their success with us. If you have a success story or an idea for putting our tools to work in your business, we would appreciate hearing from you.



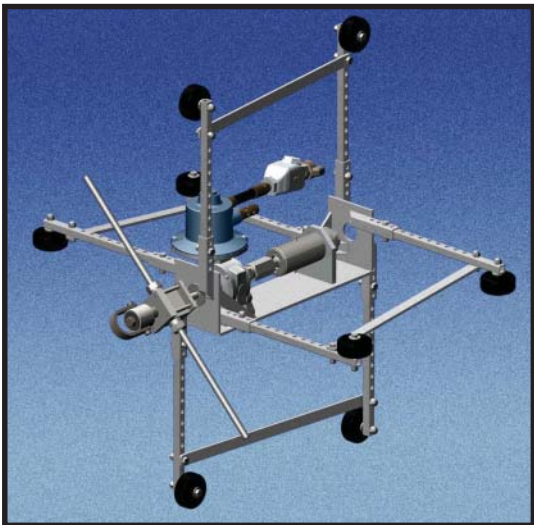
Zoom Sewer & Drain develops crawler/root cutter



Zoom Sewer relies on Warthog WT-3/8

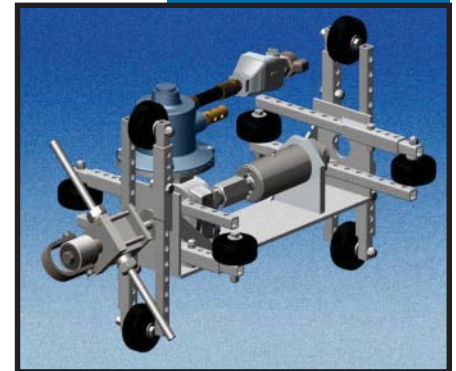
StoneAge with an innovative idea for putting their camera-equipped crawler to work in 8-inch sewer lines as a dual-purpose vehicle. The project consisted of cleaning and inspecting over 19,000 ft of 8" terra-cotta pipe. The concept was to mount a rigidly attached Warthog out in front of the crawler with two 45-degree forward facing jets blasting the walls of

40,000 psi Pipe Cleaner Now More Adjustable



UH-80 Expanded for maximum diameter

We made a simple modification to this popular air-rotated system that allows adjustment to a diameter range of 16.6 to 37.5 inches. It was a suggestion by Frank Romito at Blast Technology. So thanks Frank!



UH-80 Collapsed for minimum diameter

The UH-80 is a great choice for removing epoxy pipeline coatings, and other thin, hard deposits. It uses StoneAge's dependable UH-H9H6 Swivel, excellent sapphire jets, and a reliable gearbox that controls rotation rate to 65-250 rpm - just right for 18-36 inch pipe cleaning.



StoneAge Expands Manufacturing Capacity

With over 3,000 StoneAge parts, it's a big job keeping sufficient inventory so that complete tool assemblies are available when our customers need them. We've invested in new computer systems, expanded warehouse space, and in fabrication

equipment to keep up with demand. This August, we took a big step with our fourth computer controlled machine. The new mill is on-line now, producing a steady stream of good quality parts. As a result of investment and smart planning, availability of StoneAge tools has never been better. Several years ago, we quoted 4-5 weeks lead time to ship a rigid lancing system. Today we can ship the same system in 2 weeks.



New CNC Mill arrives at StoneAge



Unloading.....then, will it fit through the door!



The human touch



Warthog WG-1 Moves 40 lb. Rock 620 ft.

David Boutelle at Municipal Underground Services in Laguna Niguel, CA sent this photo of a rock cleaned from a 18" sewer main with a Warthog WG-1. He was jetting at 2900 psi, with about 620 ft. of hose played out, when the nozzle bumped over an obstruction. Knowing that the obstruction was closer to the downstream manhole, they started jetting at



40 lb Rock dragged 620 ft. by Warthog

that location. Once the bump was felt again, they jetted while retracting the hose, and dragged this 40 lb rock out of the sewer with the Warthog. "We had to work to get it and the rock out into the valley where it was retrieved", according to David. "We feel this is the best sewer nozzle in the world. From roots to grease to unusual objects, it is the best!"

David bought his Warthog from Advanced Infrastructure Technologies, located in Torrance, CA.

New Tool Cases

New RJ 200 cases are available for StoneAge 2D tools used for sewer and pipe cleaning. They are very high quality, sealed, and durable. The cases make an attractive alternative to tossing expensive tools into a steel storage compartment.

They are also useful for cameras, electronic equipment, tools, and fishing tackle.



Purchasing Manager Carrie Grant shows new RJ 200 Case



CHANGE SERVICE REQUESTED

StoneAge, Inc.
P.O. Box 2907
Durango, CO 81302

PRRST STD
U.S. POSTAGE
PAID
DURANGO, CO
PERMIT NO. 477